

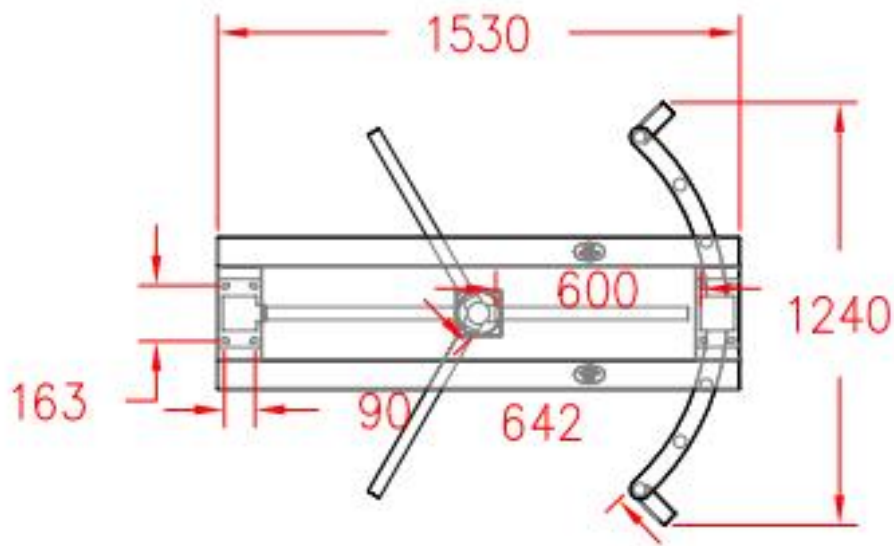
Standard model	ZOJE-Z2001
Turnstile type	Full height turnstile
Material	304 stainless steel with coating
Door type	Y type-3(120°)
Dimension	1500*1240*2250mm (L*W*H)
Passage width	600mm
Direction	Single / bidirectional
Function	Fail safe
Power supply	AC110-220V, 50/60Hz
Working environment	Indoor & outdoor
LED indicator	Yes
Motor type	Solenoid (semi-automatic)



● Standard



● Warranty: One year for electric parts, two years for mechanical parts.



Material	316 stainless steel
Dimension	Customized
Drive type	Brush motor/Brushless motor/Servo motor
Access control board	Can used offline
	Offline storage 100,000 records
	30,000 user registration
	TCP/IP communicatoion
	Connect IC/ID card reader,
	QR code scanner fingerprint,face recognition
IC card reader	Yes
IC card register	Yes
IC card	Yes
QR code scanner	Yes
Biometric verification	Fingerprint
	Face recognition ●Optional

All ZOJE turnstile gates can easily be integrated with virtually any access control system.

All ZOJE turnstile gates are built with self-designed mechanical structure for stable and long-time operation.

